

User Manual

Aerosol Generator PivPart160 series

Content:

Introduction

Technical Description

Technical Data

Operation and Inspection

Size Distribution

Recommended Working Liquids

Safety considerations

Working Back Pressure

Aerosol Inhalation

Static Electricity



中国总代理: Nano电子商城

Tel: 4006609565 19mro@19mro.com

<http://www.19mro.com>

Manufactured in

Type PivPart160

Serial No.

Temperature min./max. +5/+40 °C

over pressure max. bar

Not for use with toxic, flammable, or corrosive liquids!

Introduction

The air-operated PivPart160 is made for the generation of micro-droplets of liquids. Any liquid has to be analyzed with respect to the safety precautions, e.g. by the inspection of safety data sheets, before filling it into the generator. The combination of the generator with other pressurized parts or machines have to be done in accordance to the national and international safety regulations. Read the manual carefully before using the generator.

In almost all applications of laser based flow anemometry it is desirable to add tracers in order to achieve sufficient image contrast and to control particle size. In gas flows the supply of tracers is very often critical for the quality and feasibility of the PIV measurement and the impact onto the experimental environment for example in wind tunnels. Particles from smoke machines and thermal fog generators are not easy to handle, because many liquid droplets tend to evaporate rather quickly, and therefore change size. Solid particles are difficult to disperse and very often agglomerate. In many cases, the particles cannot simply be supplied a long time before the measurement, but must be injected into the flow shortly before the gaseous medium enters the test section. The injection has to be done without significantly disturbing the flow, but in a way and at a location, that ensures homogeneous distribution of the tracers. Since the existing turbulence in many test set-ups is not strong enough to mix the fluid and particles sufficiently, the particles have to be supplied from a large number of openings. Distributors, like rakes consisting of many small pipes with a large number of tiny holes, are frequently used. Therefore, particles, which can easily be transported inside small pipes, are required.

The particle generator described herein, produces tiny droplets of liquids by pressurized air (e.g. oil). Laskin nozzle generators and oil have been used for most of the PIV and LDA measurements of airflows. Depending on the liquid used, these particles offer the advantage of not being toxic; they stay in air at rest for hours, and do not change in size significantly under various conditions. In closed-loop wind tunnels they can be used for a global seeding of the complete tunnel volume or for a local seeding of a stream tube by a seeding rake with a few hundred tiny holes. A technical description of the atomizer is given below.

Technical description

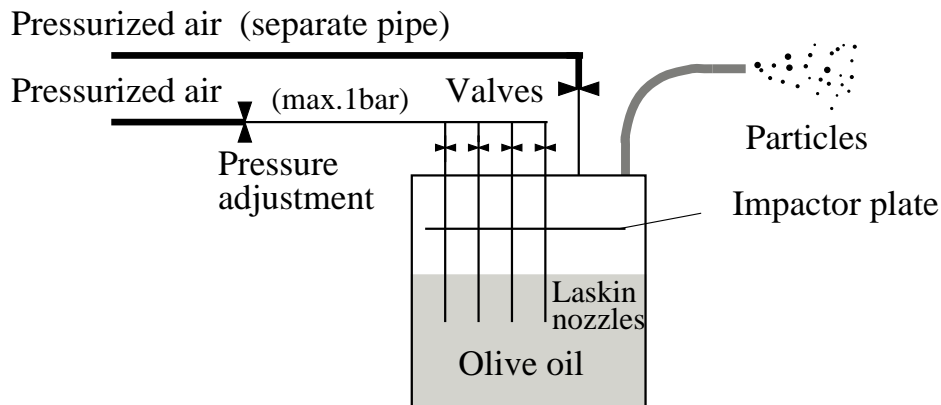


Figure 1: Principle of the PivPart160 particle generator

The generator consists of a closed cylindrical container with one air inlet and one aerosol outlet. five air supply pipes -- mounted at the front -- dip into the liquid (e.g. vegetable oil) inside the container. Each of them is connected to the same air distributor by a tube and a valve. The pipes are closed at their lower ends (see below). Laskin nozzles with liquid holes of 1 μm in diameter are equally spaced in each pipe.

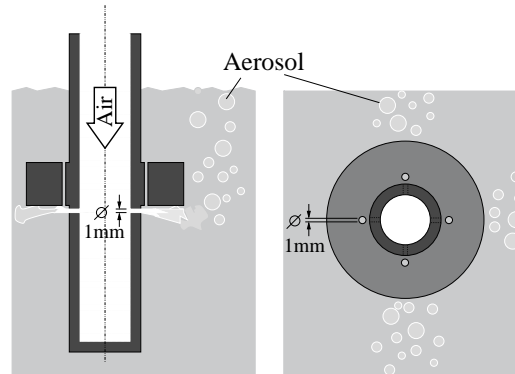


Figure 2: Sketch of the Laskin nozzles

A horizontal impactor plate is placed inside the container, in a way that the plate and the inner wall of the container form a small gap. The aerosol outlet is connected directly to the upper front plate. Two gauges measure the pressure on the inlet of the nozzles and inside the container, respectively. Compressed air with a pressure difference of 0.5 bar – 1 bar with respect to the outlet pressure is applied to the Laskin nozzles and creates air bubbles within the liquid. Due to the shear stress induced by the tiny jets, small droplets are generated and carried inside the bubbles towards the oil surface. The impactor plate retains big particles; small particles escape through the gap and reach the aerosol outlet. The four valves at the nozzle inlets can be used in order to control the number of particles. The mean size of the particles generally depends on the type of liquids being atomized, but is only slightly dependent on the operating pressure of the nozzles. Vegetable oil is the most commonly used liquid since oil droplets are believed to be less unhealthy than many other particles. **However, any kind of seeding particles, which are harmful or cannot be dissolved in water, should not be inhaled.** Most vegetable oils (except cholesterol-free oils) lead to polydisperse distributions with mean diameters of approximately 1 μm . The same particle size can be generated when Di-Ethyl-Hexyl-Sebacat (DEHS) is used in combination with the generators described above. DEHS particles turn into vapour after a few hours and are therefore not polluting. The optical properties – especially light scattering – are excellent and can be compared with that of vegetable oil particles.

Technical data

Atomizer principal: multiple Laskin nozzles

Performance: 160 individual air jets with according liquid holes in metric fittings
 Fully adjustable through (manual) control of 160 Laskin nozzles (8, 16, 32, 64, 40)

Typical particle size: 1.0 μm peak in PDF of size distribution

Tested seeding materials: DEHS, vegetable oils

Typical seed output per jet: App. 10^8 particles/second

Air requirements: Minimum pressure 3 bar at 160 m³/h

Operating overpressure: See generator label; inlet overpressure 0.5 -1.0 bar.

Weight: approximately 49 kg.

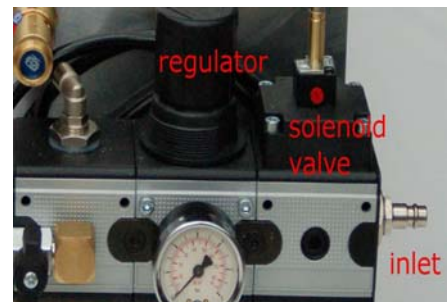
Inlet and outlet: One inlets ½" for particle generation, one outlet 3/4", safety valve

The container volume is 46.19 litres. Its cylindrical wall (AlMgSi0.5) has a thickness of 10 mm. The lid and bottom plate (AlMgSi0.5) have a thickness >15 mm. The generator has been made in accordance with sound engineering practice.

The volume of the cyclone is 0.95 litre. The cyclone is made for an over pressure range between -1 bar up to 3 bar. The level indicator (with plastic tube) at the cyclone is made for over pressures up to 19 bar.

Operation and Inspection

First, the liquid to be atomized has to be filled into the generator through the **outlet** (see Fig. 5). The level of the liquid should be approximately 10 centimetres above the bottom of the container (see **level indicator** on Fig. 5). Then, pressurized air has to be connected to the **inlet** (see Fig. 5). The **inlet pressure adjustment** (see Fig. 5) has to be set to reach an inlet pressure level, which is between 0.5 bar and 1 bar larger than the outlet pressure level (compare **inlet pressure gauge** and **outlet pressure gauge** Fig. 5). The outlet pressure is usually atmospheric as long as the outlet is not blocked or connected to distribution devices or pressurized devices. Precautions to ensure higher pressure levels at the inlet than at the outlet have to be made in order to avoid the liquid flowing backwards, if the outlet is pressurized or blocked. The outlet pressure should not exceed the surrounding pressure level by more than the pressure specified on the generators label (check at **outlet pressure gauge** see Fig. 5). The amount of particles can be adjusted with **four quantity valves** (see Fig. 5). If the container has to be opened for inspection, all 4 M10 nuts at the front have to be removed. Then, the front lid (see Fig. 5) can then be opened at all sides simultaneously. Check the position of the o-ring seal at the top carefully when closing the generator. **The generator can be switch on and of manually by turning the red screw on the solenoid valve (see small figure on the right).**



The generator requires cleaning when fluids have been used for aerosol generation, which are polluting in nature, e.g. because they tend to change there physical state or viscosity with time. The safety valve has to be checked annually or in shorter time intervals, if pollution occurred or if there is any other reason to doubt its function. When checking the safety valve, avoid eyes to be injured by any substance blowing out of the opening (safety goggles). One can check the safety valve by removing it from the top and mounting it to the inlet pressure regulator exit. Increase the pressure carefully from zero to the maximum pressure specified on the valve and the generator. A tolerance of 10% of the specified pressure must not be tolerated. Exchange valve if necessary, but ensure sufficient mass flow rate and release pressure margin.

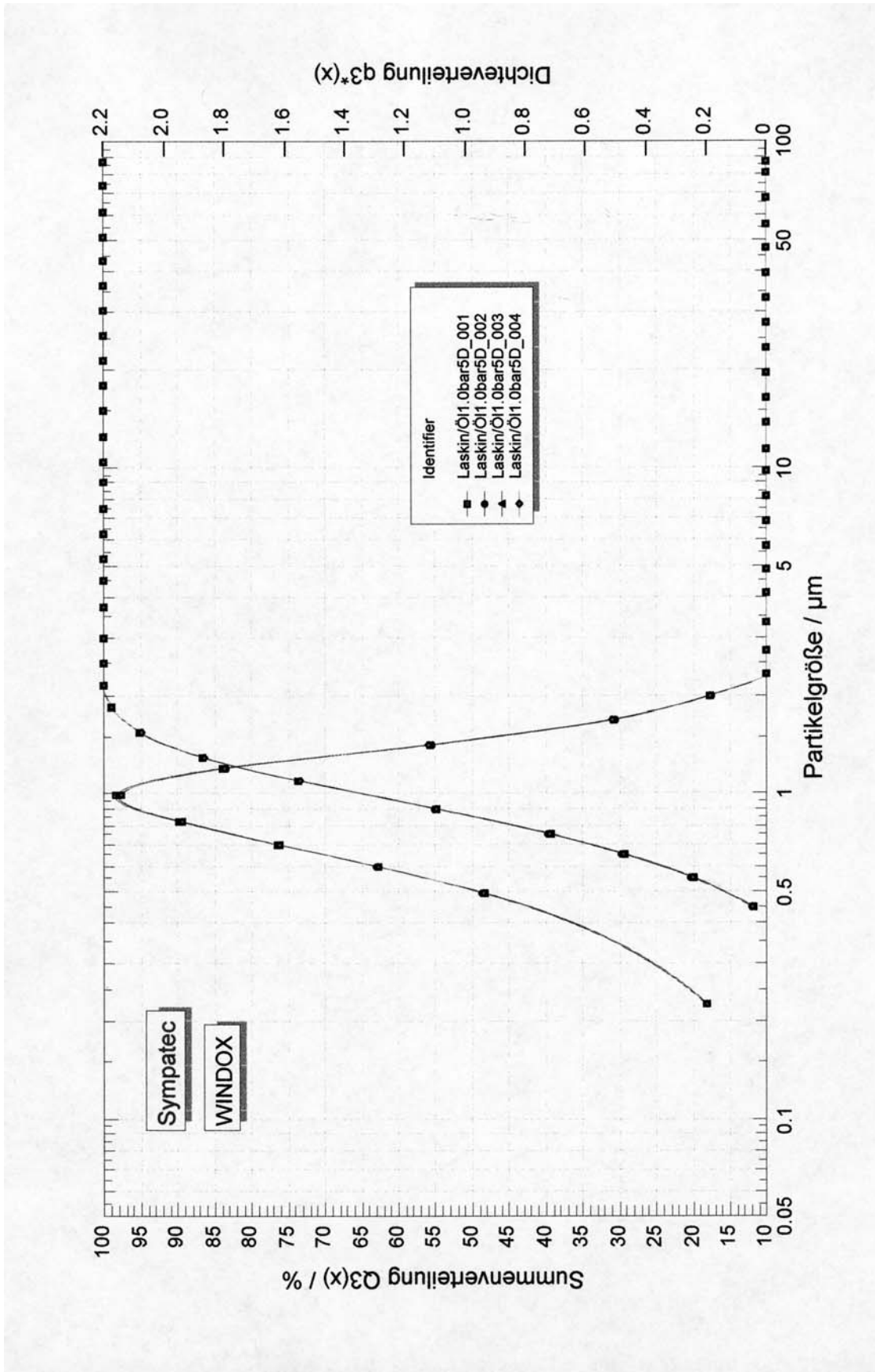


Figure 3: Particle size distribution for vegetable oil atomized at 1 bar

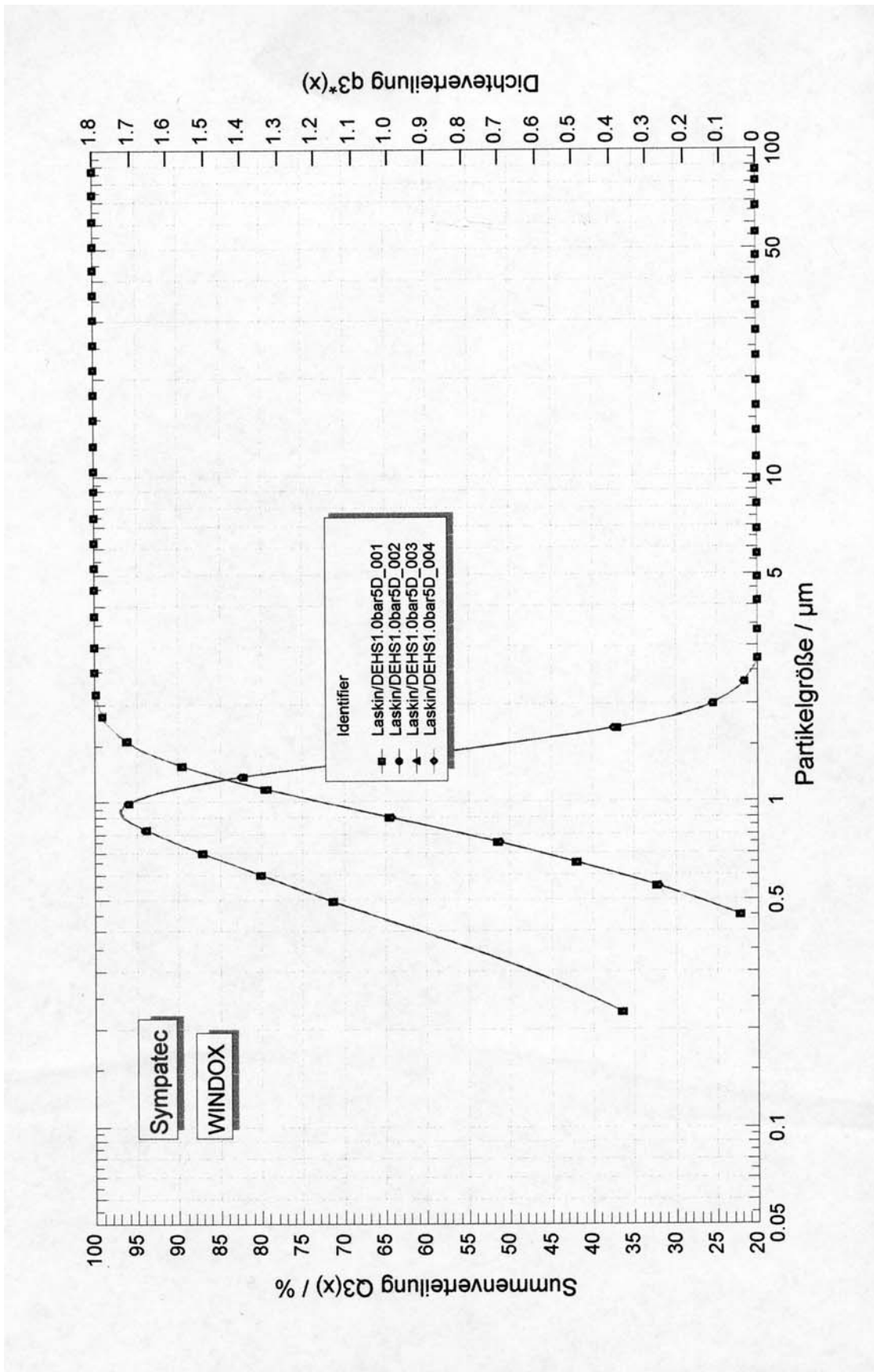


Figure 4: Particle size distribution for DEHS atomized at 1 bar

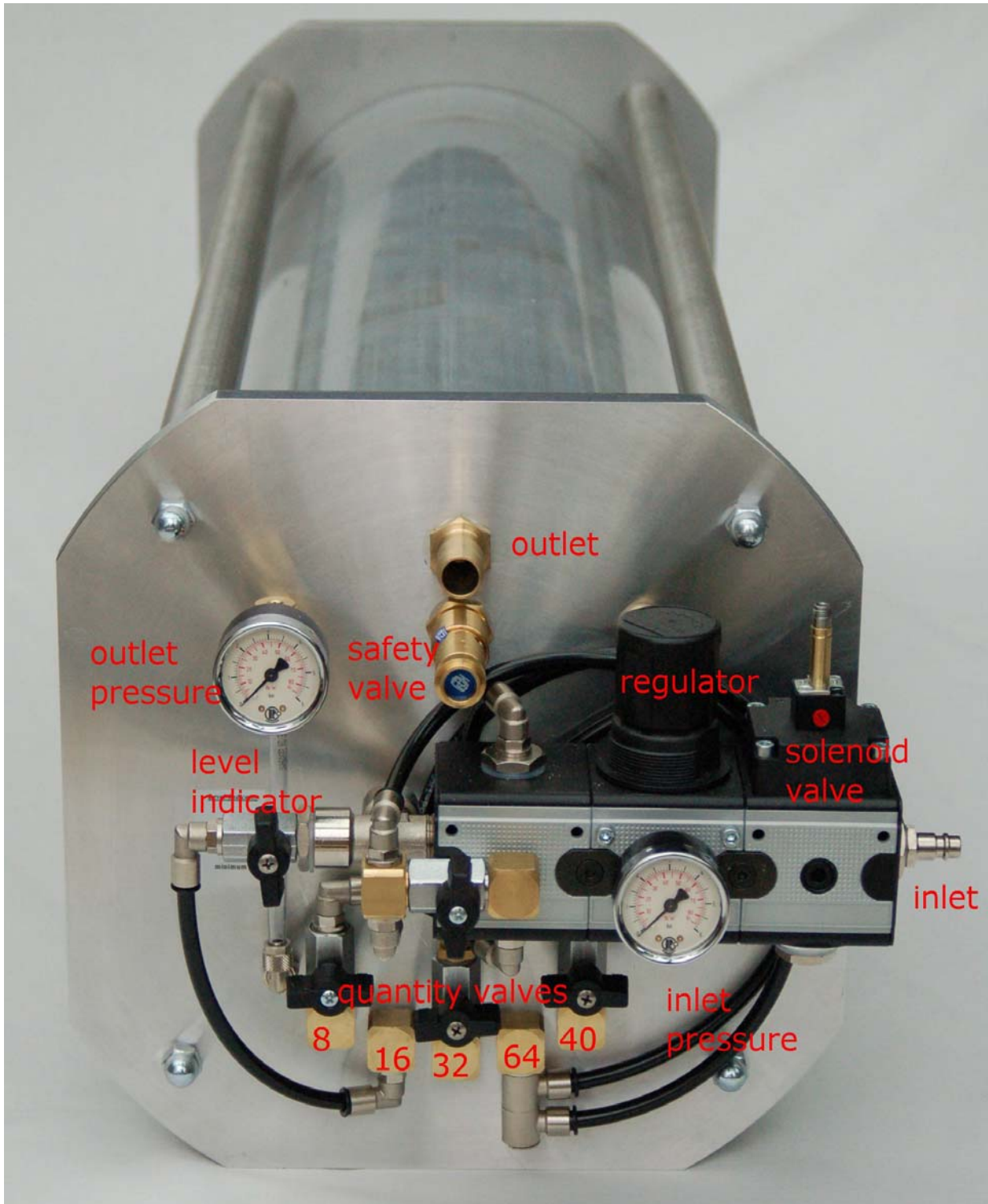


Figure 5: The PivPart160 particle generator

Recommended working liquids:

Typical seed materials include corn oil, olive oil, DEHS, and silicone or paraffin oil. Corn oil is frequently used in wind tunnel applications at atmospheric pressures and temperatures, as it is inexpensive and produces micron-sized droplets. Olive oil has a higher flash point or decomposition temperature, and is the liquid of choice for many internal combustion engine flows. DEHS is frequently used for filter testing and laser anemometry. Where operation at very high temperatures, and reduced pressures is required, silicone vacuum fluids are preferred. These liquids were developed for use in vacuum diffusion pumps and combine very low vapour pressure with high flash points and surface tension and cinematic viscosities similar to the vegetable oils. **Only DEHS (CAS-No. 122-62-3) has been investigated for DSEAR/ATEX compliance.**

Safety considerations:

Working Back Pressure

The atomizer is designed using standard 16 bar pressure components and is certified for operation up to 1 bar maximum working backpressure. For applications at higher pressure, PivTec can produce specialized seeders to the customer specification.

Aerosol Inhalation

Working liquids for the atomizer are chosen for the droplet size range they produce in conjunction with their evaporation rates. Droplets are typically produced in the size range 0.5-5.0 μm . Since these are easily inhaled, the seed material and operational procedures should also be chosen with regard to toxicity, possible allergic reaction and irritation. The user should refer to COSH data sheets for the liquids being used (or in the USA, OSHA) for the relevant hazard information and handling/ventilation requirements. Safety data for DEHS can be found at distributors web-sites e.g. WWW.Merck.de (CAS-No. 122-62-3).

In general, the seeder should be used in well-ventilated areas. Forced ventilation is preferred to eliminate seed build up in confined areas. If this cannot be achieved, then personnel should wear appropriate respiratory filters for the droplet size range being produced.

For many experiments, the seed is not required continuously and in these cases the total volume of seed material ejected is very small. For typical work in smaller facilities, the generator will be in operation for the order of 100 seconds, so that in a single run the total quantity of seed ejected is no more than 0.1ccm. This should be borne in mind when considering environmental requirements for filtering exhaust or ventilation flows from experimental areas.

Static Electricity

If combustible liquids are used in the seeder, precautions should be taken to avoid static electricity and the risk of explosion. In extreme cases anti-static tubing may be desirable from the output of the seeder to the experiment.